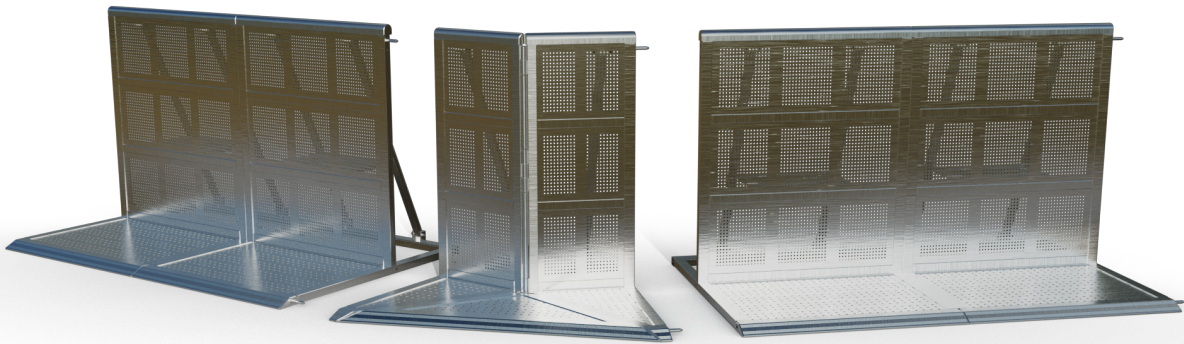


## DB Vario Corner Infill 45° Positive



Dutch Barrier's vario corner infill 45° positive secures a vario corner section at a 45° positive angle. It provides continuity in the treadplate and, therefore, more stability and solidity in the setup as a whole. It provides a rock-solid crowd control solution in front of stages and other event locations that need safeguarding from excessive crowd pressures

**- a state of the art aluminium barrier system, built for fast setup and optimised crowd control solutions -**

### About

Dutch Barrier's founders and partners boast over 50 years of experience in high-end manufacturing, layout design, and crowd control solutions. We saw an opportunity to start afresh with an entirely new stage barrier design, preserving the best features and improving upon them where possible.

### Why

We believe in quality, safety, and creating an unforgettable experience. The safer an audience is, the more comfortable it will feel at your event.

### How

We achieve quality and safety by leveraging 50-plus years of combined original creators' experience to reinvent the to date world's best barrier system from the ground up, making it accessible to anyone who might be in the market for such a system, either to rent or to buy.

### What

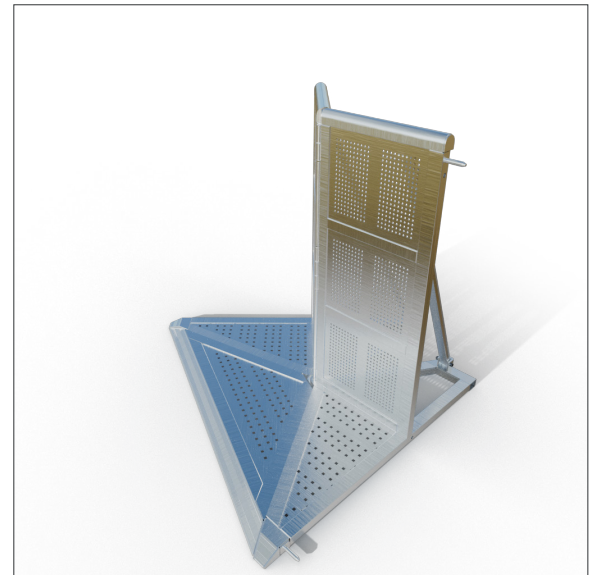
Dutch Barrier® is a state-of-the-art lightweight aluminium barrier system offering an innovative combination of straights, special sections and storage solutions. Create ingenious crowd control solutions, enjoy quick setups and enhanced handling, and benefit from an equal footprint for every dolly during transport or storage.

### Oh, and there's one more thing...

Dutch Barrier® is not just a brand. It's a state-of-the-art engineering company where customer support is an integral part of the mission rather than being hidden behind the impersonality of an online promise.

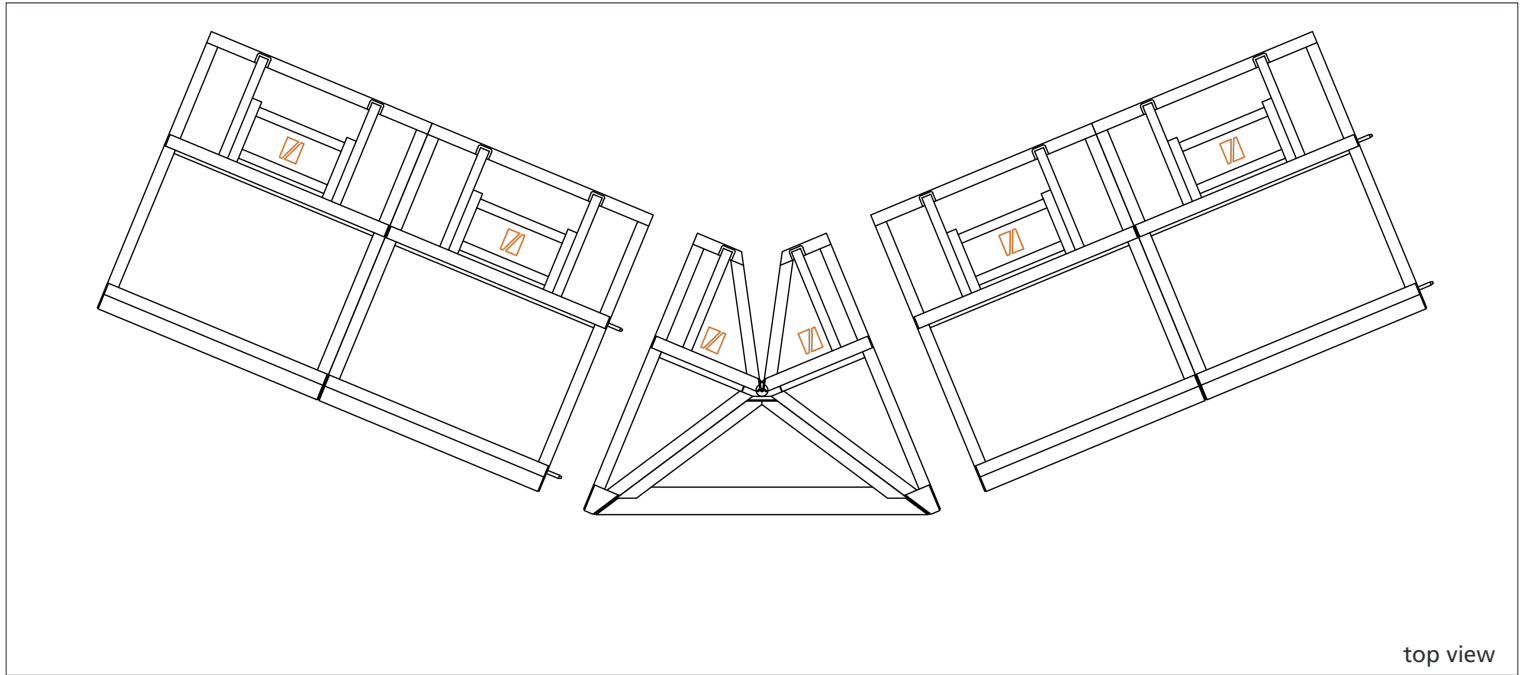
**More information:** [info@dutchbarrier.nl](mailto:info@dutchbarrier.nl)

**Rental & Sales:** [info@dutchbarrier.services](mailto:info@dutchbarrier.services)



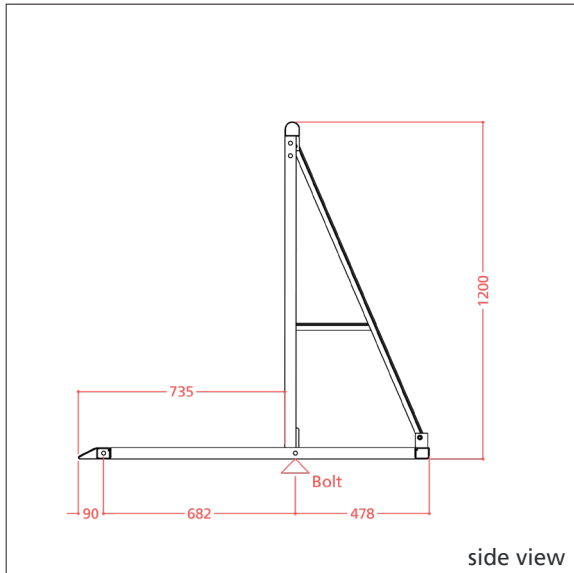
**- a safe show for every row -**

## DB Vario Corner Infill 45° Positive



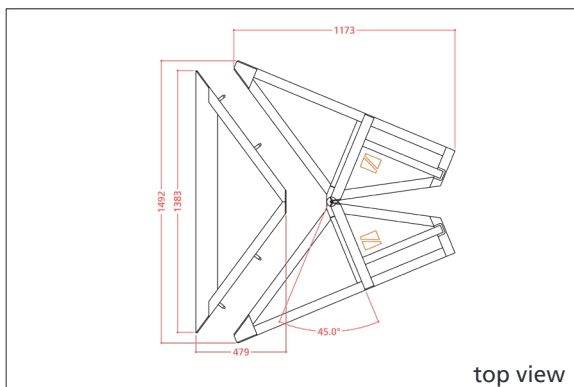
An infill secures a vario corner at a specific angle, providing continuity to the treadplate, reducing the risk of tripping and minimizing the chance of the barrier overturning with more people standing on the treadplate. TUV has determined that the least robust configuration, a vario corner section without an infill, meets the 5kN/m ISE requirement. Therefore, it will be even stronger combined with infills.

**- a state of the art aluminium barrier system, built for fast setup and optimised crowd control solutions -**



### Technical Specs

- A solid welded aluminium construction made out of bespoke extrusion profiles  
The treadplate extension forces a DB vario corner section into a positive 45° angle
- One unit measures 1383mm wide, 479mm deep and 40mm high
- A punched tread plate prevents liquids from pooling
- Bottom pins provide easy setup and alignment
- Weight 7,4kg
- Use in high crowd pressure areas: ●●●● 5/5



**- a safe show for every row -**