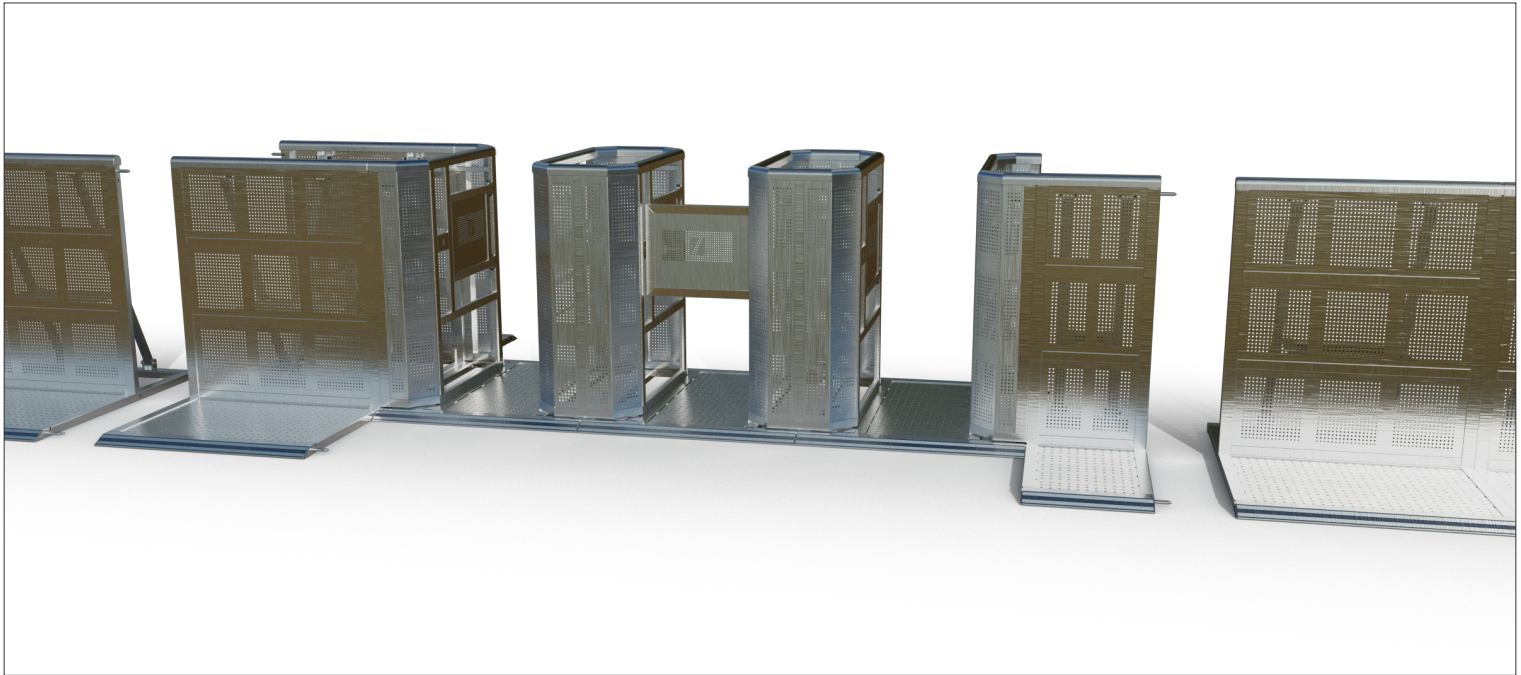


DB LUG 1m00 Set

The Dutch Barrier's Line Up Gate (LUG) system features a unique interlocking design, significantly reducing setup time for entry systems such as main entrances or golden circle entries. A single standard Dutch Barrier bolt securely interlocks one LUG to the next. LUGs are designed to facilitate controlled ingress and egress when required.

- a state of the art aluminium barrier system, built for fast setup and optimised crowd control solutions -

About

Dutch Barrier's founders and partners boast over 50 years of experience in high-end manufacturing, layout design, and crowd control solutions. We saw an opportunity to start afresh with an entirely new stage barrier design, preserving the best features and improving upon them where possible.

Why

We believe in quality, safety, and creating an unforgettable experience. The safer an audience is, the more comfortable it will feel at your event.

How

We achieve quality and safety by leveraging 50-plus years of combined original creators' experience to reinvent the to date world's best barrier system from the ground up, making it accessible to anyone who might be in the market for such a system, either to rent or to buy.

What

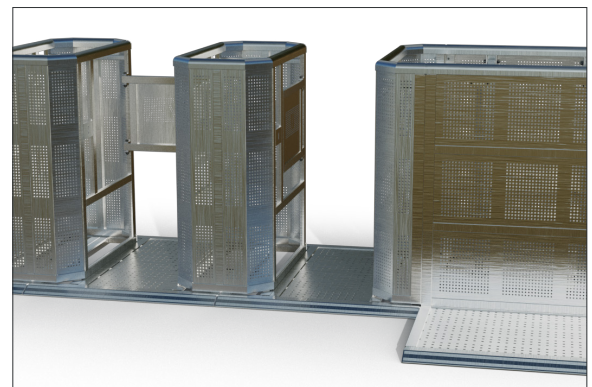
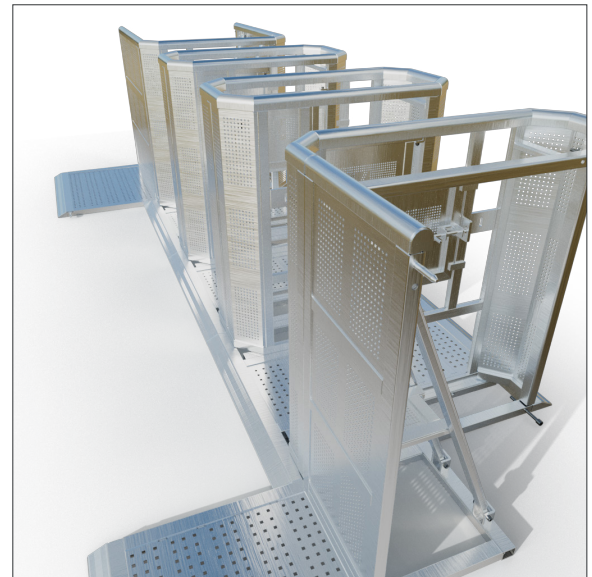
Dutch Barrier® is a state-of-the-art lightweight aluminium barrier system offering an innovative combination of straights, special sections and storage solutions. Create ingenious crowd control solutions, enjoy quick setups and enhanced handling, and benefit from an equal footprint for every dolly during transport or storage.

Oh, and there's one more thing...

Dutch Barrier® is not just a brand. It's a state-of-the-art engineering company where customer support is an integral part of the mission rather than being hidden behind the impersonality of an online promise.

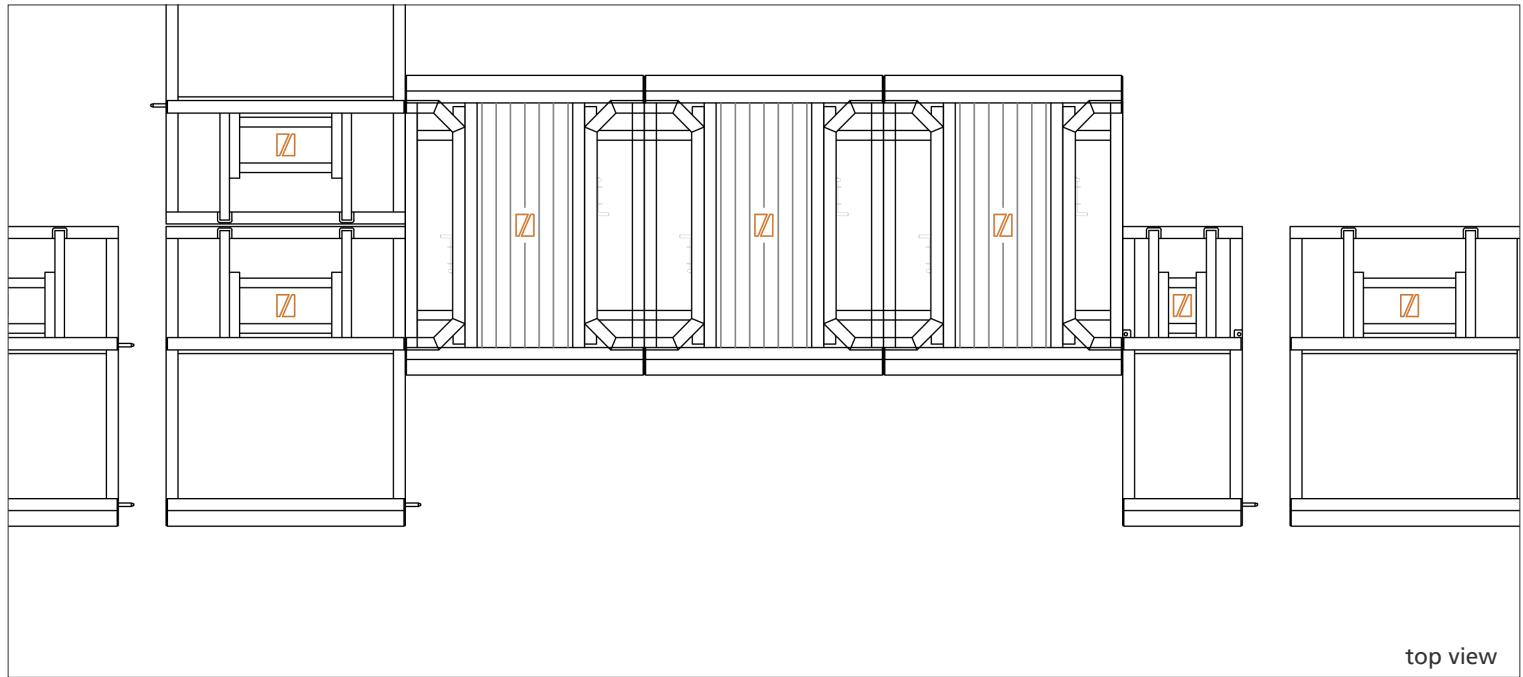
More information: info@dutchbarrier.nl

Rental & Sales: info@dutchbarrier.services



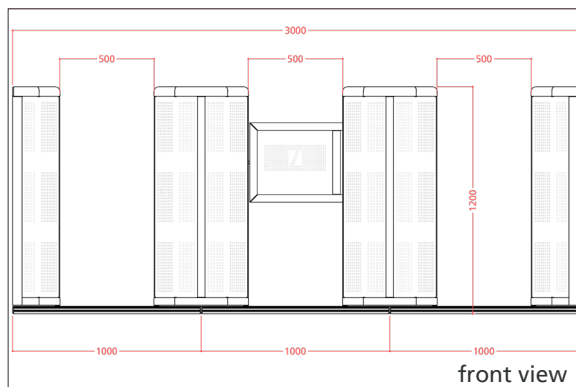
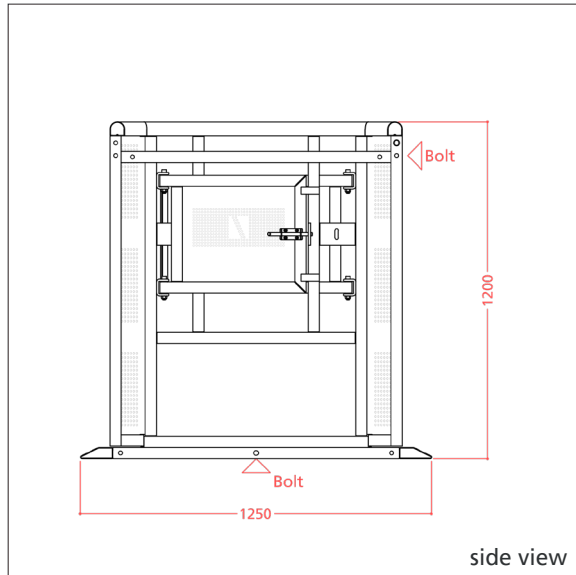
- a safe show for every row -

DB LUG 1m00 Set



Once assembled, line-up gates create 0m50 wide walkways, separated by bumper units. A standard set comprises three bumpers, two half bumpers to serve as end caps and four treadplates, forming four consecutive walkways. Inside the bumpers, staff can for example safely perform tasks like ticket-checking. An extension set of four bumpers and treadplates is also available.

- a state of the art aluminium barrier system, built for fast setup and optimised crowd control solutions -



Technical Specs

- A system constructed entirely from aluminium. Comprising four treadplates, three bumpers and two half bumpers
- A treadplate measures 1000mm wide and 1250mm deep, the bumper measures 500mm wide, 1040mm deep and 1200mm high
- Each walkway has two doors
- A rounded top rail and welded end caps for the audience's comfort & safety
- The treadplates are connected using a single standard Dutch Barrier bolt, while bumpers lock securely between them through cleverly positioned pins and holes.
- The half bumper units at the ends of an array seamlessly connect to the adjoining barrier unit
- The half bumper units can be paired as full bumper units
- Weights: Floor 17kg, bumper 35,8kg, half bumper 21,2kg
- Stored and travel per 4 complete walkways in a bespoke stainless steel dolly LUG
- An extension set of four treadplates and four bumpers also available
- Use in high crowd pressure areas: ●●○○ 3/5

- a safe show for every row -