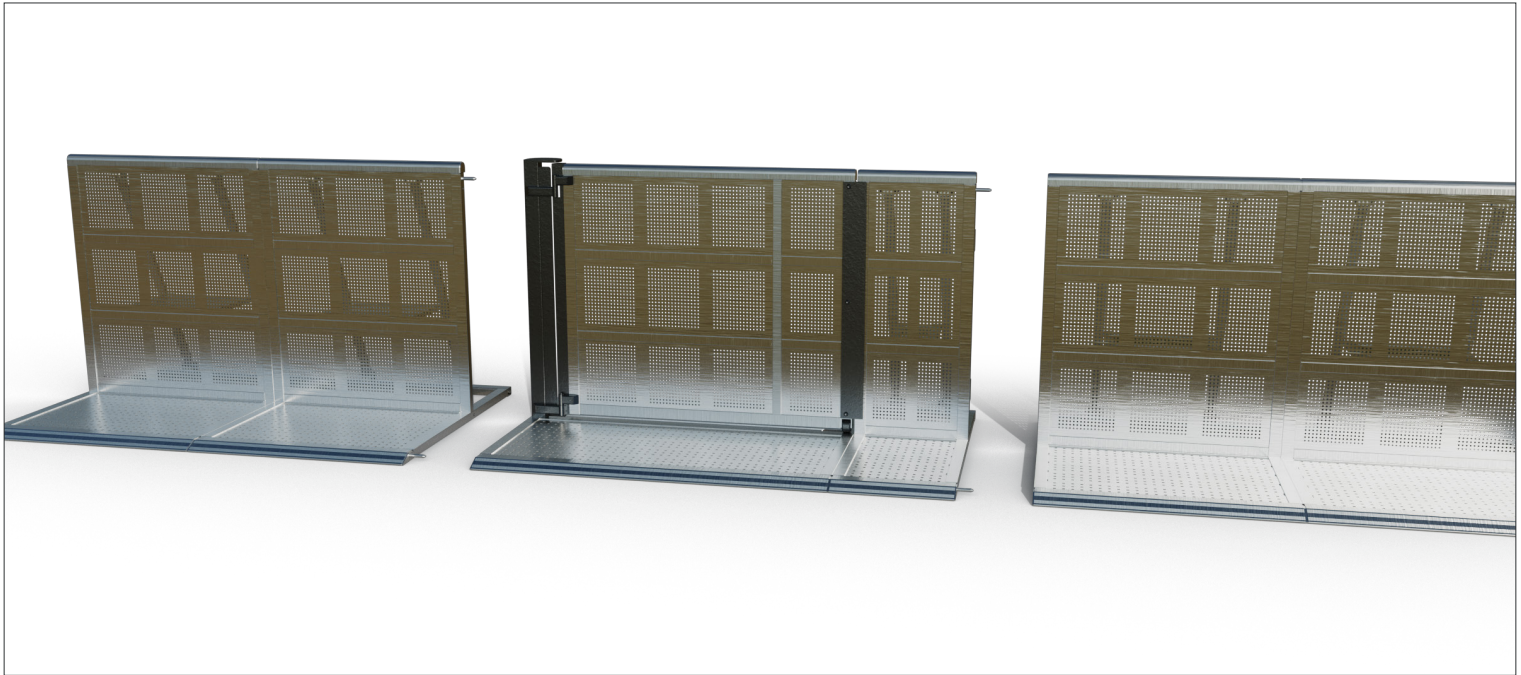


DB Gate 1m50 Set Left

The Dutch Barrier's 1m50 gate set is available in both left and right opening versions. Having been tested under 5kN/m conditions, they are suitable for access or exit in areas with high crowd pressure. They can serve as blow-out gates, providing a high-volume output after a show or an event.

- a state of the art aluminium barrier system, built for fast setup and optimised crowd control solutions -

About

Dutch Barrier's founders and partners boast over 50 years of experience in high-end manufacturing, layout design, and crowd control solutions. We saw an opportunity to start afresh with an entirely new stage barrier design, preserving the best features and improving upon them where possible.

Why

We believe in quality, safety, and creating an unforgettable experience. The safer an audience is, the more comfortable it will feel at your event.

How

We achieve quality and safety by leveraging 50-plus years of combined original creators' experience to reinvent the to date world's best barrier system from the ground up, making it accessible to anyone who might be in the market for such a system, either to rent or to buy.

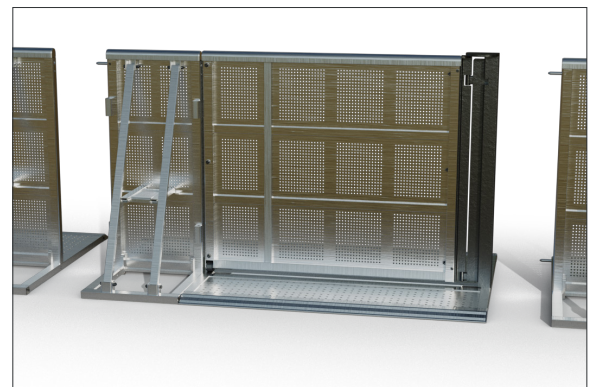
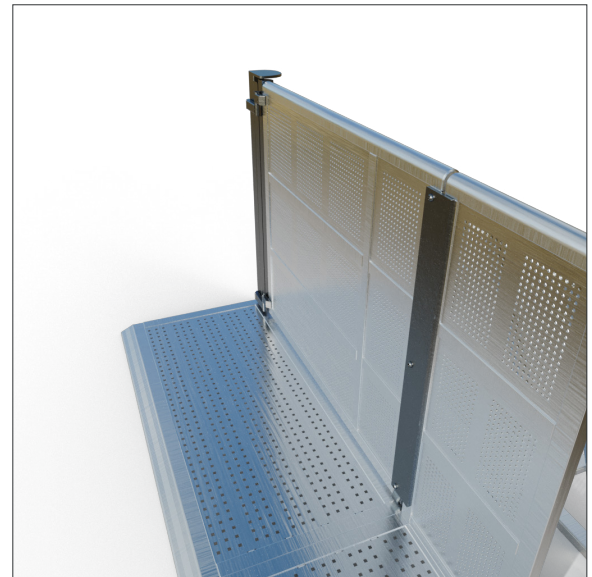
What

Dutch Barrier® is a state-of-the-art lightweight aluminium barrier system offering an innovative combination of straights, special sections and storage solutions. Create ingenious crowd control solutions, enjoy quick setups and enhanced handling, and benefit from an equal footprint for every dolly during transport or storage.

Oh, and there's one more thing...

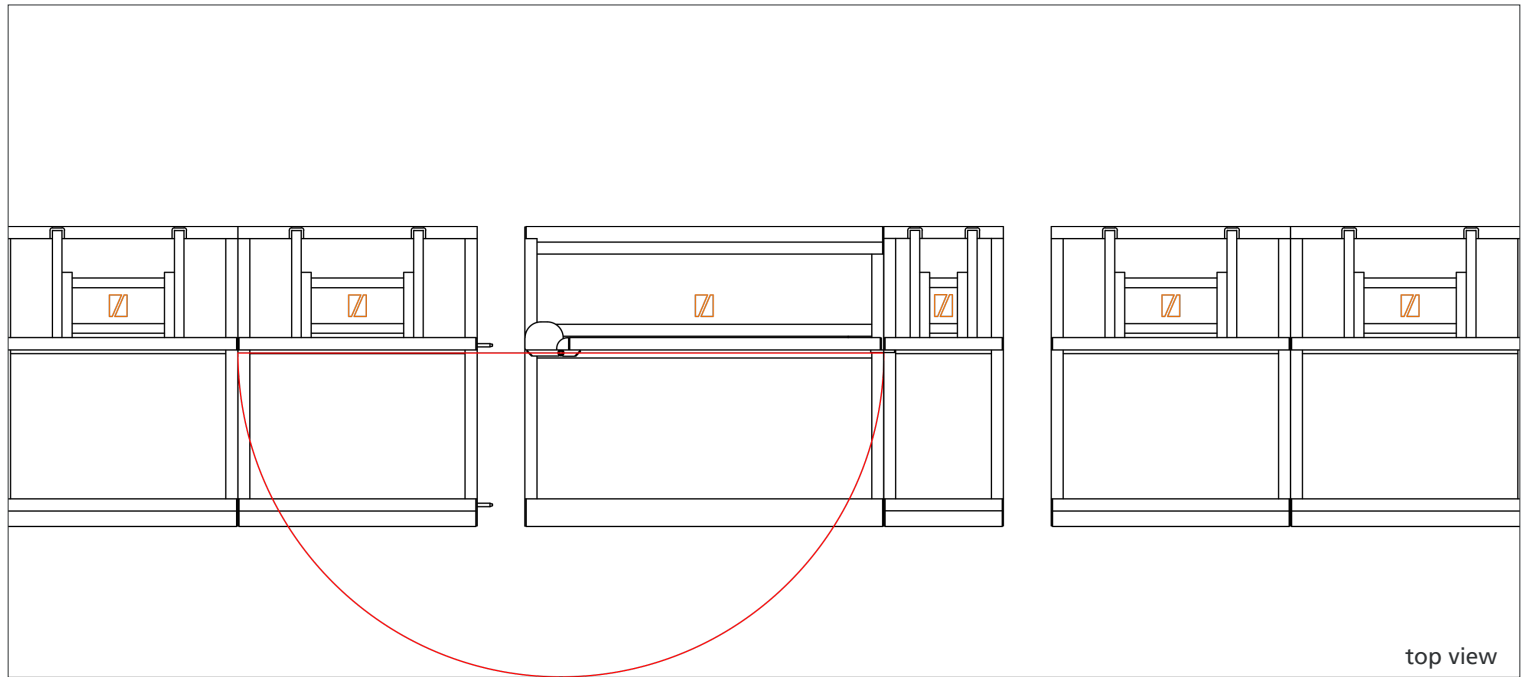
Dutch Barrier® is not just a brand. It's a state-of-the-art engineering company where customer support is an integral part of the mission rather than being hidden behind the impersonality of an online promise.

More information: info@dutchbarrier.nl
Rental & Sales: info@duchtbarrier.services



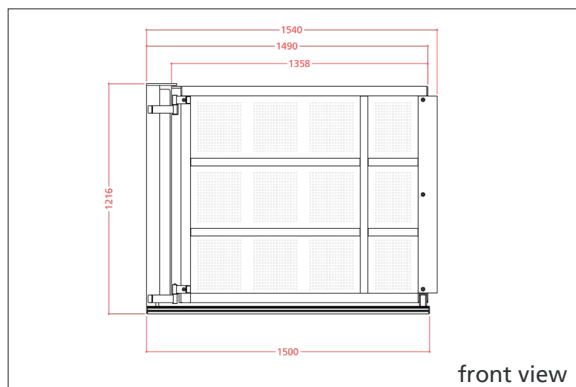
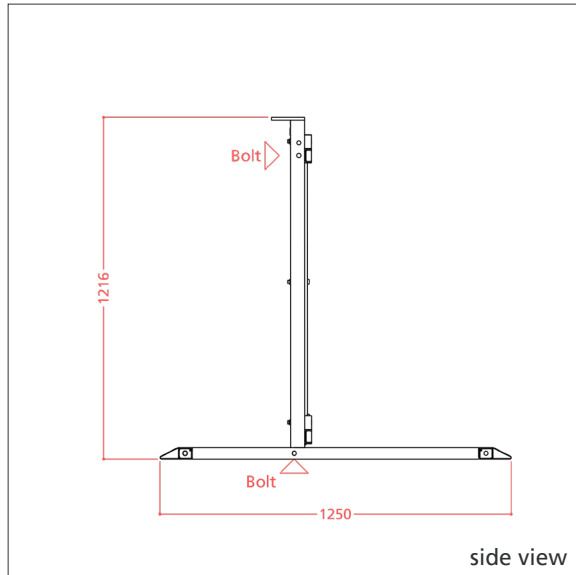
- a safe show for every row -

DB Gate 1m50 Set Left



Testing was done at a minimum of 5kN/m pressure at the top rail, following and exceeding the Temporary Demountable Structures Edition 4 guidelines by the Institution of Structural Engineers (ISE). TUV reports for each test are available at Dutch Barrier & Dutch Barrier Services upon request.

- a state of the art aluminium barrier system, built for fast setup and optimised crowd control solutions -



Technical Specs

- A full aluminium treadplate, sloped in front and back, and aluminium upright, galvanised steel hinge and a straight half unit
- Straight half section specs are provided on a separate sheet
- A treadplate measures 1500mm wide and 1250mm deep, the upright measures 1358mm wide and 1040mm high
- One set measures 2040mm wide, 1250mm deep and 1200mm high
- A rounded top rail and welded end caps for the audience's comfort & and safety
- Bottom pin provides for easy setup and alignment
- The upright is suspended from two hinges on the steel adapter, which connects to the adjacent unit using a bespoke Dutch Barrier bolt.
- The treadplate interconnects at the bottom on either side by one standard standard Dutch Barrier bolt
- A steel plate on the audience side and a latch inside ensure the gate possesses frontstage capability
- Also available with black upright
- Weights: Floor 36,4kg, upright 33,4kg, hinge 11,0kg
- Stored and travel per 4 complete sets in a bespoke stainless steel dolly 1m50/3m00 GATE
- Use in high crowd pressure areas: ●●●● 5/5

- a safe show for every row -